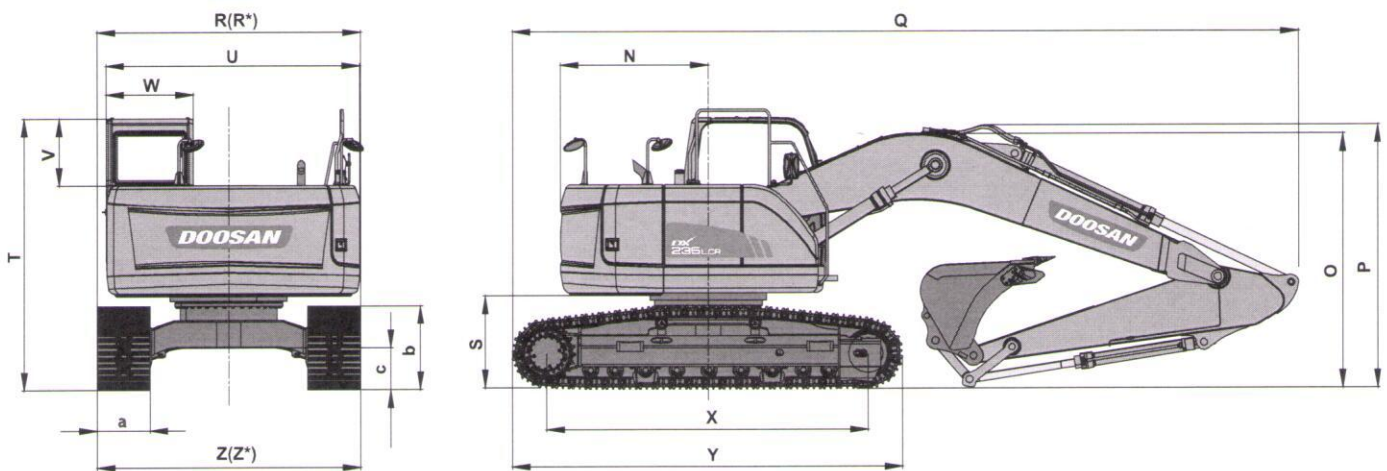


# Dimensions



## \* Dimensions

Boom 5700 mm • Arm 2900 mm • Shoe 600 mm - Standard configuration.

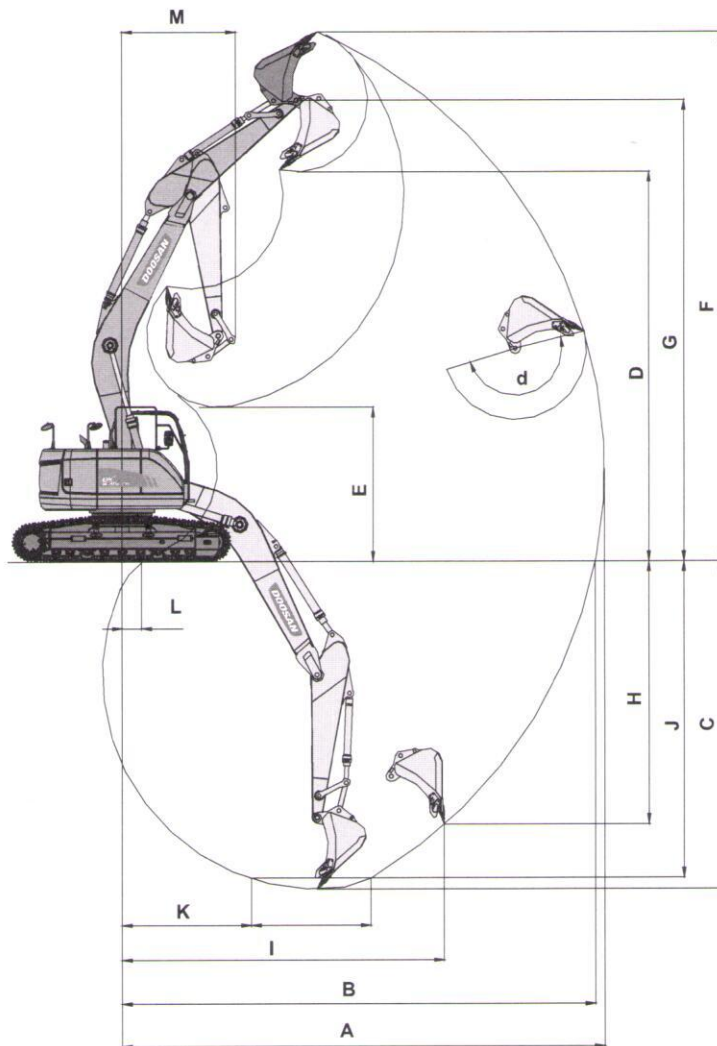
Boom length (one piece) - mm		5700	
Arm length - mm		2900	2400
Bucket capacity - m <sup>3</sup>		0.92	1.05
N	Tail swing radius - mm	1680	-
O	Shipping height (boom) - mm	2870	2980
P	Shipping height (hose) - mm	2955	3070
Q	Shipping length - mm	8955	9010
R	Shipping width (Std) - mm	2990	-
S	C/Weight clearance - mm	1025	-
T	Height over cab - mm	3080	-
U	House width - mm	2870	-
V	Cab height above house - mm	760	-
W	Cab width - mm	980	-
X	Tumbler distance - mm	3650	-
Y	Track length - mm	4445	-
Z	Undercarriage width (Std) - mm	2990	-
a	Shoe width - mm	600	-
b	Track height - mm	947	-
c	Ground clearance - mm	480	-

## \* Components weights & dimensions

Item	Unit	DX235LCR		Remarks
Superstructure w/o front	kg	11920		Including counterweight
Counterweight	kg	6480		
Lower structure assembly	kg	7675		With 600 mm shoe
Front assembly	kg	4105		
Boom (5.7 m)	kg	1500		Including bushing
Arm (2.9 m)	kg	680		Including bushing
Bucket (0.92m <sup>3</sup> )	kg	710		
Boom cylinder (ea)	kg	215		Including bushing
Arm cylinder	kg	245		Including bushing
Bucket cylinder	kg	155		Including bushing

# Working range

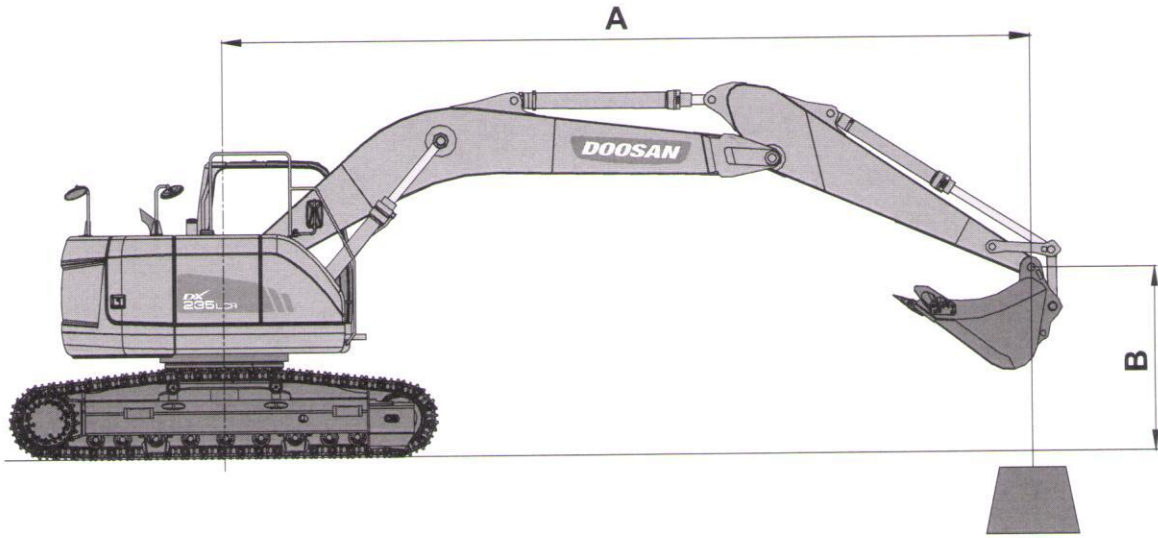
# DX235LCR



## \* Working range

	5700	
Boom length (one piece) - mm	2900	2400
Arm length - mm	2900	2400
Bucket capacity - m <sup>3</sup>	0.92	1.05
A Max. digging reach - mm	9820	9415
B Max. digging reach at ground level - mm	9630	9215
C Max. digging depth - mm	6670	6170
D Max. dumping height - mm	7955	7705
E Min. dumping height - mm	3155	3740
F Max. digging height - mm	10795	10565
G Max. bucket pin height - mm	9405	9160
H Max. vertical wall depth - mm	5350	5050
I Max. radius vertical - mm	6550	6270
J Max. digging depth - mm	6440	5940
K Min. radius - mm	2570	2660
L Min. digging reach - mm	395	1630
M Min. swing radius - mm	2310	2545
d Bucket angle - deg	177	177

# Lifting capacities



## Standard configuration

Boom : 5700 mm - Arm : 2900 mm - Bucket : SAE 0.92 m<sup>3</sup> (CECE 0.81 m<sup>3</sup>) Shoe : 600 mm

Units: 1000 kg

B (m)	A (m)		2		3		4		5		6		7		8		Max. lift		
	⊞	☒	⊞	☒	⊞	☒	⊞	☒	⊞	☒	⊞	☒	⊞	☒	⊞	☒	⊞	☒	A (m)
8									*4.77 *	*4.77 *							*3.95	*3.95	5.48
7									*5.46	*5.46	*4.66	*4.66					*3.75	*3.75	6.43
6									*5.76	*5.76	*5.61	4.61	*4.06	3.46			*3.69	3.34	7.13
5					*7.02	*7.02	*6.40	6.14	*5.97	4.48	*5.38	3.39					*3.73	2.88	7.62
4	*17.47	*17.47	*11.08	*11.08	*8.62	8.49	*7.31	5.84	*6.51	4.30	5.62	3.29					*3.85	2.59	7.96
3			*15.02	12.62	*10.49	7.86	*8.37	5.51	7.09	4.10	5.48	3.17	4.37	2.49			*4.05	2.40	8.16
2			*7.98	*7.98	*12.16	7.31	9.31	5.19	6.87	3.91	5.34	3.04	4.29	2.42			4.09	2.30	8.23
1			*7.79	*7.79	*13.23	6.94	9.02	4.94	6.68	3.74	5.22	2.93	4.22	2.35			4.07	2.26	8.18
0 (Ground)			*9.50	*9.50	13.15	6.75	8.83	4.78	6.55	3.62	5.13	2.85	4.17	2.30			4.17	2.3	8.00
-1	*8.70	*8.70	*11.88	11.06	13.06	6.68	8.73	4.69	6.47	3.55	5.08	2.80					4.4	2.43	7.69
-2	*11.36	*11.36	*14.82	11.15	*12.92	6.69	8.71	4.68	6.45	3.53	5.08	2.80					4.84	2.67	7.23
-3	*14.30	*14.30	*15.04	11.31	*11.89	6.78	8.77	4.73	6.50	3.58							5.64	3.12	6.58
-4	*16.51	*16.51	*12.79	11.56	*10.27	6.94	*8.29	4.85									*7.07	4.00	5.68
-5			*9.50	*9.50	*7.65	7.21											*6.96	6.26	4.37
-6																			