

**AMMANN
YANMAR**



C30R-2

Carrier



YANMAR

C30R-2A

Operating weight : 2365 kg

Max. payload : 2500 kg

Dump vessel capacity : 1,24 m³

Working applications and productivity



- Ideal for the use on all grounds : sand, soft and swampy areas, steep slopes...
- Undercarriage equipped with track rollers with pendular supports to compensate for different ground levels.
- Robust vessel with removable gates.
- Safe and quick rear dumping.
- High dump vessel capacity (1.24 m³ heaped).
Max. payload : 2500 kg.

- New YANMAR engine, TNV generation, fully compliant with the latest noise and environment norms.
- Reversible seat : safe operating position in both travel directions.
- Joystick allowing a safe and precise control of the machine.
- ROPS structure as standard to protect the operator against rolling over. Seat with safety belt.
- Easy access to the main components for maintenance operations.

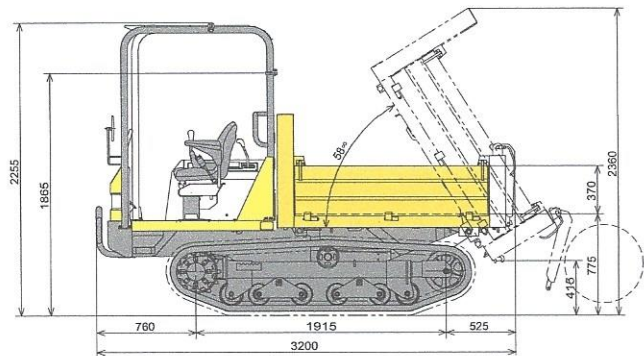
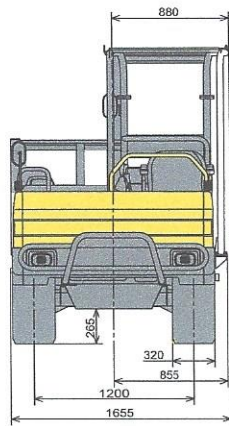
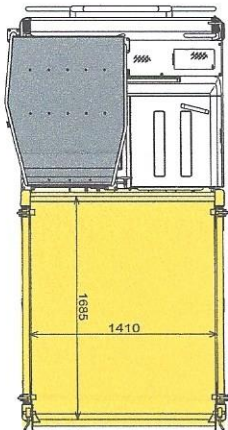


TECHNICAL SPECIFICATIONS

C3OR-2

Operating weight : 2365 kg

Max. Payload : 2500 kg



Subject to any technical modifications. Dimensions given in mm.

		C3OR-2A
	Operating weight	2365 kg
Yanmar Diesel 3 cylinders engine	Type	3TNV88-SFW
	Rated Output	19.1 kw / 26 HP / 2200 rpm
	Displacement	1642 cm ³
	Cooling system	Water
	Max. torque	107.9 N.m. / 1320 rpm
Undercarriage	Track width	320 mm
	Min. ground clearance	265 mm
	Ground pressure (unloaded)	0.27 kg/cm ²
	Ground pressure (loaded)	0.57 kg/cm ²
Performance	Max. Payload	2500 kg
	Dumping angle	58°
	Vessel dimensions (L x W x H)	1685 x 1410 x 370 mm
	Dumping mechanism	1 side
	Dump clearance	415 mm
	Dump vessel capacity (struck/heaped)	0.88 / 1.24 m ³
	Grade ability	30°
	Max. Travelling speed (forward)	0 - 8.2 km/h
	Max. Travelling speed (reverse)	0 - 8.2 km/h
Miscellaneous	Transmission	Hydraulic engine with gear
	Hydraulic tank	13 l
	Hydraulic system	18 l
	Fuel tank	40 l
	Brake	Wet multiple disk brake
	Acoustic pressure LwA (2000/14/EC & 2005/88/EC)	100 dBA*

* provisory data